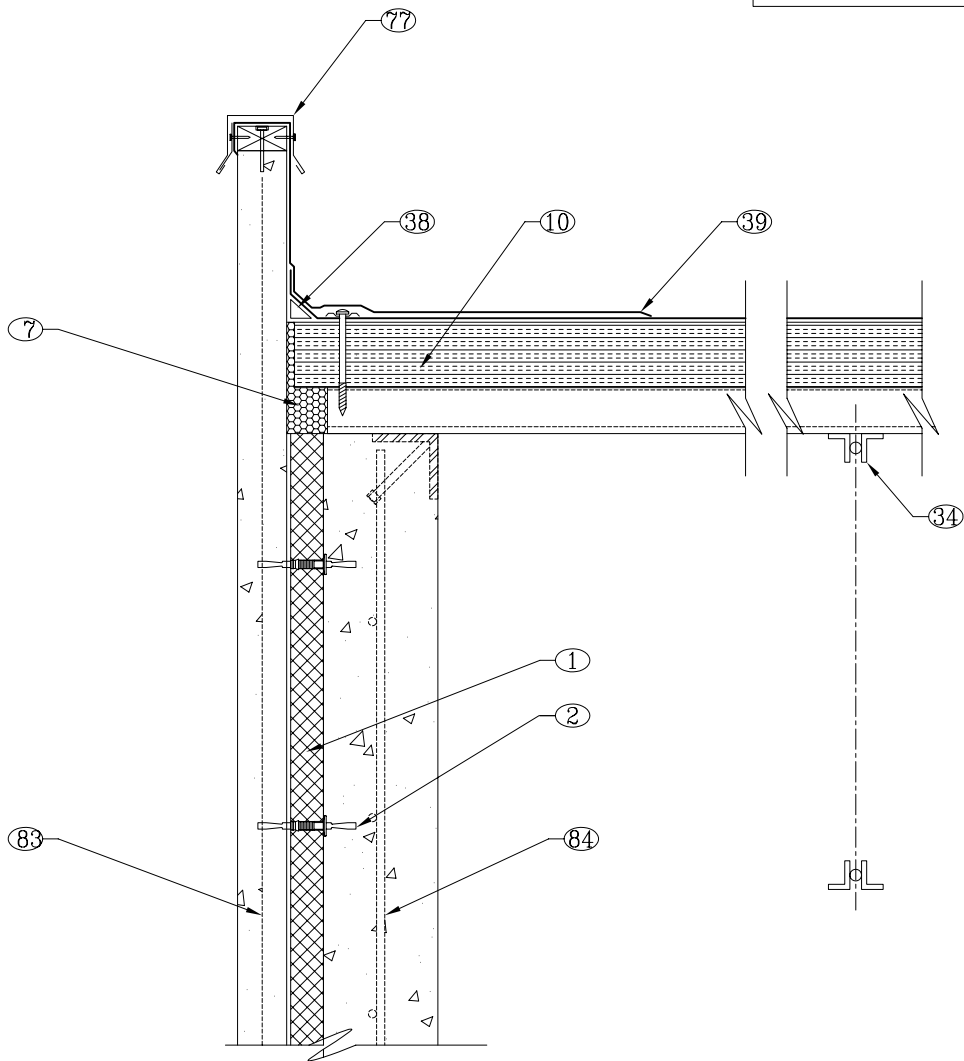


①	STYROFOAM INSULATION AS PROVIDED WITH THE THERMOMASS SYSTEM
②	THERMOMASS FIBER COMPOSITE CONNECTOR @ 16" O.C.
⑦	EXPANDABLE POLYURETHANE FOAM IN PLACE INSULATION
⑩	INSULATION PROVIDED BY ROOF INSTALLER
③④	STEEL JOIST AND GIRDER ROOF STRUCTURE
③⑧	TREATED CANT STRIP
③⑨	ROOF MEMBRANE
⑦⑦	FLASHING
⑧③	WELDED WIRE FABRIC
⑧④	REINFORCING PER STRUCTURAL ENGINEER



CONSTRUCTION DOCUMENTS BASED ON DETAILS PROVIDED BY COMPOSITE TECHNOLOGIES CORPORATION WILL VARY ACCORDING TO PROJECT DEMANDS. REFER TO THE PROJECT ARCHITECT OR ENGINEER FOR SPECIFIC DETAILS.

COPYRIGHT 2003 COMPOSITE TECHNOLOGIES CORPORATION

THIS DRAWING IS THE EXCLUSIVE PROPERTY OF CTC. ANY REPRODUCTION, COPY, OR OTHER UNAUTHORIZED USE OF THIS DRAWING, INCLUDING BUT NOT LIMITED TO USE OF THIS DRAWING IN THE INSTALLATION OF A NON-CTC INSULATION SYSTEM, IS A VIOLATION OF U.S. COPYRIGHT LAWS AND OTHER RIGHTS OF CTC.

Composite Technologies Corporation
 1000 Technology Drive., Boone, IA 50036
 Wats: (800) 232-1748; Ph: (515) 433-6075; Fax: (515) 433-6088
 Email: info@thermomass.com

PROJECT:	GENERAL DETAIL FILE	
DETAIL:	ROOF PARAPET DECK SPAN	
SCALE:	1"=1'-0"	
DRAWN BY:	TIM	CHECKED BY: DXN
DATE:	04/30/03	REVISION: 07/15/03

CONFIGURATION:	3"2"17"
PROJECT NO.:	
DRWG. NO.:	TU2-P61

