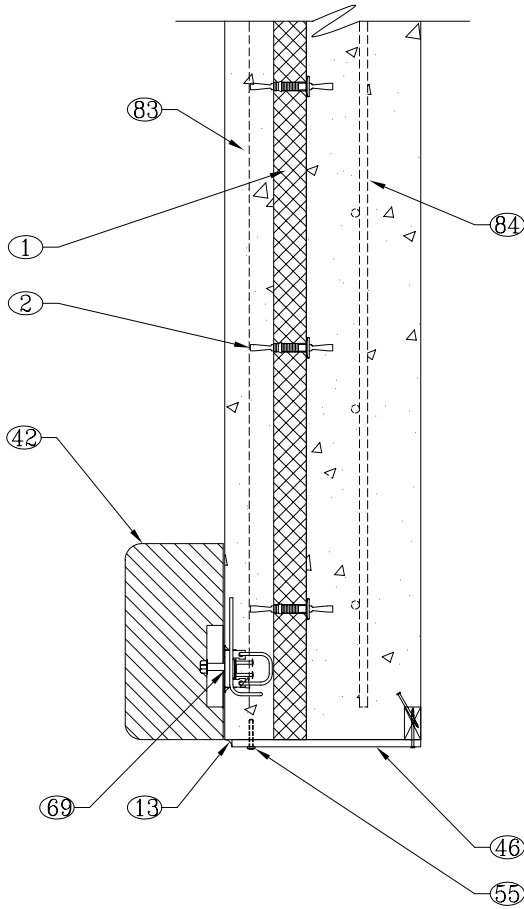


①	STYROFOAM INSULATION AS PROVIDED WITH THE THERMOMASS SYSTEM
②	THERMOMASS FIBER COMPOSITE CONNECTOR @ 16" O.C.
⑬	CAULK AS NEEDED
④②	DOCK SEAL AND BUMPER PAD
④⑥	NON-CONDUCTIVE FLASHING
⑤⑤	LIGHT-DUTY MUSHROOM HEAD HAMMER-DRIVE MASONRY ANCHOR
⑥⑨	SLOTTED INSERT
⑧③	WELED WIRE FABRIC
⑧④	REINFORCING PER STRUCTURAL ENGINEER



CONSTRUCTION DOCUMENTS BASED ON DETAILS PROVIDED BY COMPOSITE TECHNOLOGIES CORPORATION WILL VARY ACCORDING TO PROJECT DEMANDS. REFER TO THE PROJECT ARCHITECT OR ENGINEER FOR SPECIFIC DETAILS.

COPYRIGHT 2003 COMPOSITE TECHNOLOGIES CORPORATION  
 THIS DRAWING IS THE EXCLUSIVE PROPERTY OF CTC.  
 ANY REPRODUCTION, COPY, OR OTHER UNAUTHORIZED USE OF  
 THIS DRAWING, INCLUDING BUT NOT LIMITED TO USE OF THIS  
 DRAWING IN THE INSTALLATION OF A NON-CTC INSULATION SYSTEM,  
 IS A VIOLATION OF U.S. COPYRIGHT LAWS AND OTHER RIGHTS OF CTC.  
 Composite Technologies Corporation  
 1000 Technology Drive., Boone, IA 50036  
 Wats: (800) 232-1748; Ph: (515) 433-6075; Fax: (515) 433-6088  
 Email: info@thermomass.com

PROJECT:	GENERAL DETAIL FILE	
DETAIL:	DOOR HEADER BUMPER PAD	
SCALE:	1"=1'-0"	
DRAWN BY:	TIM	CHECKED BY: DXN
DATE:	10/11/97	REVISION: 08/15/03

CONFIGURATION:	3"2"17"
PROJECT NO.:	
DRWG. NO.:	TU2-B11

